

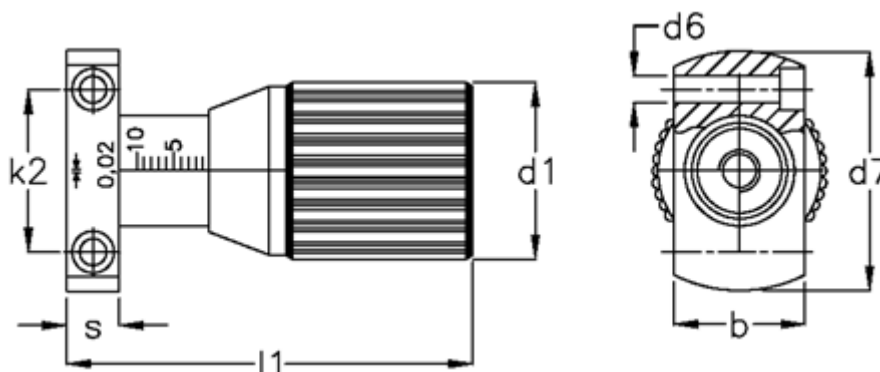
Data Sheet



Article number: 20618448A

Description: E+G Control knob w/adjustable spindle
GN 727-34-B-SR - 15 rev. scale 0,1..0,9

Measures



$b = 25$

$d1 = 34$

$d2 = M 8$

$d3 = M16x1$

$d4 = 8.5$

$d5 = 23$

$d6 = 5.3$

$d7 = 50$

$h = 4.2$

$k2 = 30$

$l1 = 67$

$l2 = 23.5$

$l3 = 45.5$

$S = 11$

$W = 15$